

Tech Specs

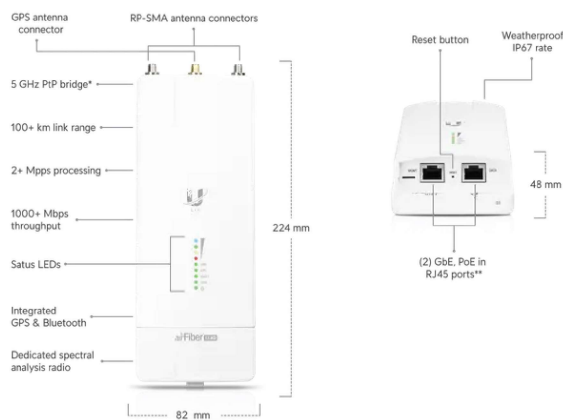
UniFi UISP Branding

60 GHz Wireless Wireless Fiber Wired Accessory Tech

Wireless / airFiber 5XHD

Datasheet

Marketing Images



*airFiber is normally purchased in pairs to form a single link.
**24V DC, 1A GbE PoE adapter included.

Mechanical

Dimensions	224 x 82 x 48 mm (8.82 x 3.23 x 1.89")
Weight	0.35 kg (0.77 lb)
Mounting	airFiber X mount (Rocket mount compatible) GPS Pole Mount (Included)
Weatherproofing	IP67* *After installation of IP67 upgrade kit (included).

Hardware

Networking Interface	(1) GbE RJ45 port
Power method	Passive PoE (Pins 1, 2, 4, 5 (+) and Pins 7, 8, 3, 6 (-))
Power supply	24V, 1A PoE Gigabit adapter (Included)
Supported voltage range	18—54V DC
Max. power consumption	12W
GPS antenna	External, magnetic base
Operating temperature	-40 to 55° C (-40 to 131° F)
Certifications	CE, FCC, IC

Software

Modes	PtP Master/Slave
Max. throughput	1+ Gbps
Max. range*	100+ km <small>*Throughput and range values may vary depending on the environmental conditions.</small>
Encryption	AES-256

RF

Max. TX power*	29 dBm <small>*Depends on regional regulations.</small>
Frequency accuracy	± 2.5 ppm without GPS Synchronization ± 0.2 ppm with GPS Synchronization
Channel bandwidth	10/20/30/40/50/60/80/100 MHz selectable Programmable Uplink and Downlink duty cycles

Operating Frequency (MHz)

Worldwide	4800 - 6200 MHz* <small>*Depends on regional regulations.</small>
-----------	----------------------------------------------------------------------

US/CA	
U-NII-1	5150 - 5250 MHz
U-NII-2A	5250 - 5350 MHz
U-NII-2C	5470 - 5725 MHz
U-NII-3	5725 - 5850 MHz

Stay in Touch

[Terms and Conditions](#) | [Terms of Service](#) | [Privacy Policy](#) | [Return Policy](#) | [Cookies Settings](#)

© 2023 Ubiquiti, Inc. All rights reserved.